

TA 80 GENERAL INFORMATION

Technical data

Air breathers & Filler plugs

Metal oil filler and air breather filler cap

Flow rate up to 550 l/min

TA80 is a range of metal air breathers and filler caps for protection of the tank against the solid contamination contained into the air and filling of the fluid into the systems during the commissioning and maintenance procedures.

They are usually directly fitted on the tank. The robust design allows the use of these filters in any heavy-duty application.

Available features:

- Male threaded connections up to 3/4" and flanged connection with bayonet, for a maximum flow rate of 550 l/min
- Fine cellulose filtration, to get a good cleanliness level into the reservoir
- Pressurization valve with different setting, to guarantee a positive pressure into the tank in any application with metal or plastic tanks
- Padlock tab, to secure the air breather to the tank
- Filling basket, to hold the coarse contamination contained into the fluid and to diffuse the fluid flow into the tank

Common applications:

- Hydraulic systems
- Mobile machines
- Industrial equipment

Flow rate Δp 0.02 bar

	Flow rate [l/min]	
	Filtration rating	03
TA80	450	550

Materials

- Cover: Chrome Plated steel
- Filter element: Resin impregnated paper, Polyurethane
- Pressurization valve: Nylon (bodies), Galvanized steel (end cap - disk), Steel (spring), NBR (seals)
- Flange and anti-splash feature: Galvanized steel
- Seals: NBR
- Screws, Flange: Galvanized steel
- Chain, Ring: Brass
- Basket (only TA80B): Galvanized steel

Temperature

From -25 °C to +100 °C

Weight

L 80 mm 0.33 kg
L 100 mm 0.35 kg

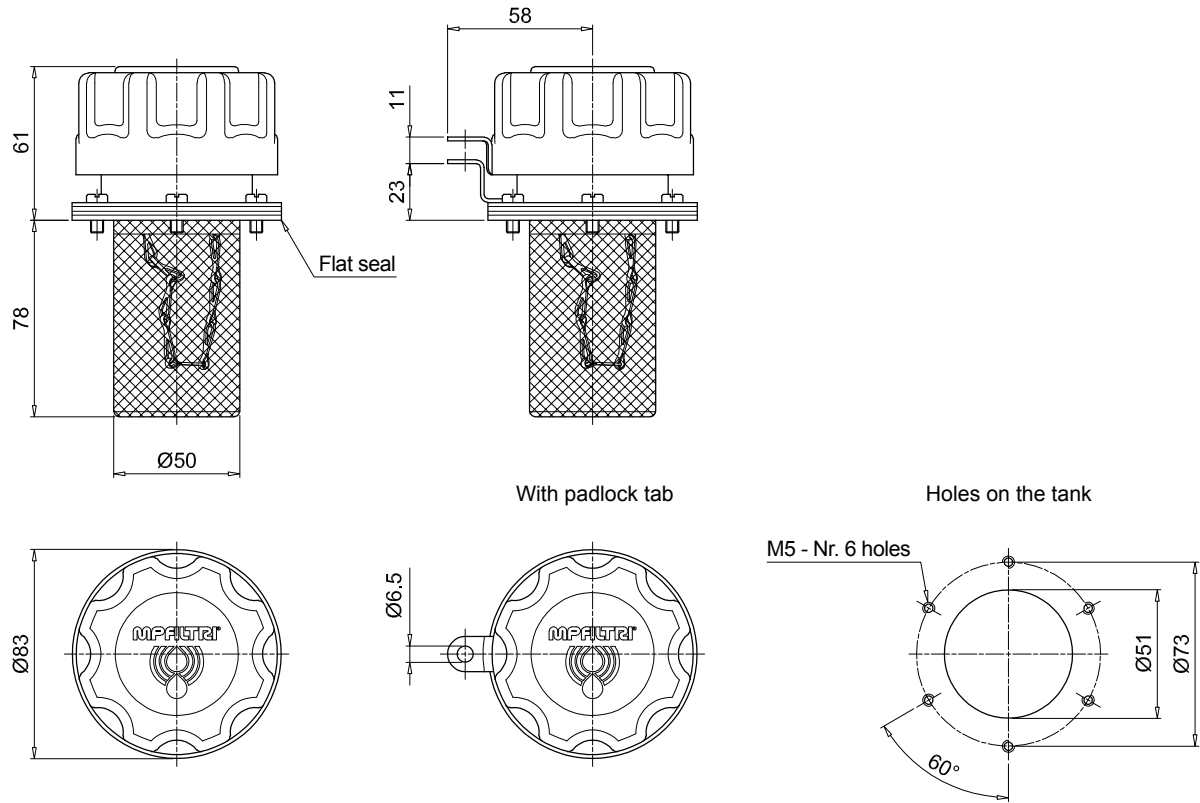


Designation & Ordering code

COMPLETE BREATHER PLUG - TA80

Series and size	Configuration example 1 :										
TA80	TA80	B	03	A	0	L	1	P01			
	Configuration example 2 :										
	TA80	G	10	A	2					P01	
Connections to the tank											
B	Screwed flange with bayonet mount	G	Thread G 3/4"								
D	Weld flange with bayonet mount	N	Thread 3/4" NPT								
Filtration rating	Connection:	B	D	G	N						
00	Without filter (blind filler plug)	•	•								
03	Resin impregnated paper 3 µm	•	•	•	•						
10	Polyurethane 10 µm	•	•	•	•						
Seals											
A	NBR										
Valve	Filtration rating:	00	03	10							
0	Without valve	•	•	•							
1	0.3 bar pressurization valve		•	•							
2	0.7 bar pressurization valve		•	•							
9	With anti-splash feature		•	•							
Version	Connection:	B	D	G	N						
0	Standard	•	•								
L	With padlock tab	•									
Basket	Connection:	B	D	G	N						
0	Without basket	•	•								
1	L = 80 mm	•									
3	L = 100 mm		•								
Execution											
P01	MP Filtri standard										
Pxx	Customized										

TA80
Screwed flange



TA80
Weld flange
Threaded connection

